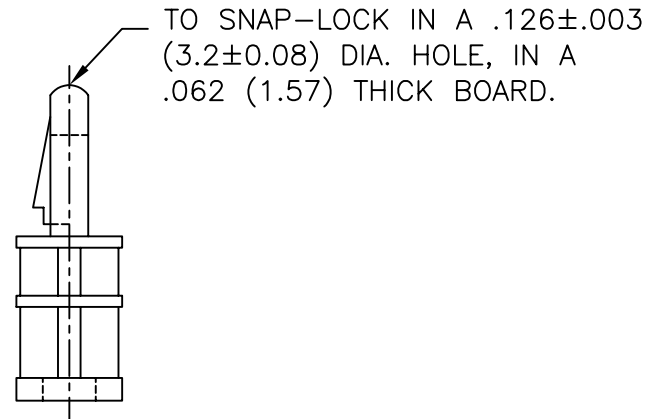
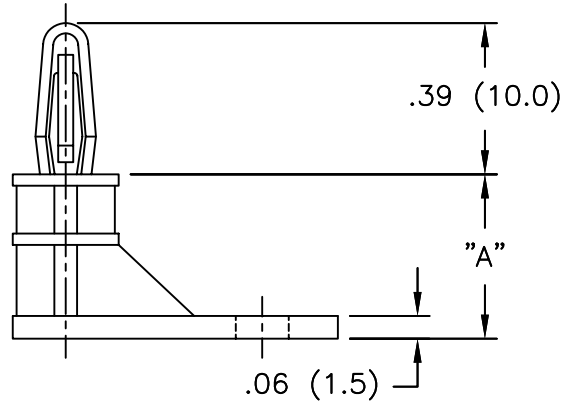
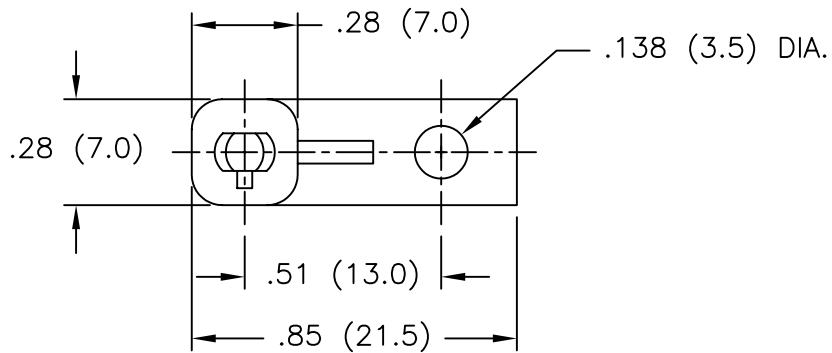


AVAILABLE BY SPECIAL ORDER ONLY



PART NO.	DIM. "A" ±.015 (±0.4)
LCBS-L-5-01	.30 (7.6)
LCBS-L-6-01	3/8 (9.5)
LCBS-L-7-01	7/16 (11.1)
LCBS-L-8-01	1/2 (12.7)
LCBS-L-9-01	9/16 (14.3)
LCBS-L-10-01	5/8 (15.9)

NOTES:

1. MATERIAL: NYLON 6/6 (RMS-01).
FLAME RETARDANT, NYLON (RMS-19),
AVAILABLE BY SPECIAL ORDER ONLY.
2. COLOR: NATURAL.
3. INSTALLS WITH A #4 (M3) SCREW OR RIVET.

TITLE: LOCKING CKT. BD. SUPPORT, L STYLE			DWG IN IN (MM)		
TOLERANCES UNLESS NOTED .XX=±.010 .XXX=±.005 FRAC=1/64 ANG=1°			FILE # LCBS-L	DWN: P.B.	APP:
REV A			MAT'L: SEE NOTES	DT: 03-11-94	DT:
REV B			RE: RICHCO, INC.	RICHCO INC. PO BOX 804238, CHICAGO, 60680 (773) 539-4060	
DESCRIPTION			PART # LCBS-L-SERIES		PRINT TYPE CA
ENGR DATE			FINAL		
SM 10.04.04					
SM 07.31.02					
SEE ECN #862 FOR CHANGES					
UPDATED NOTES AND CHANGED FILE NO.					